

## Specifications

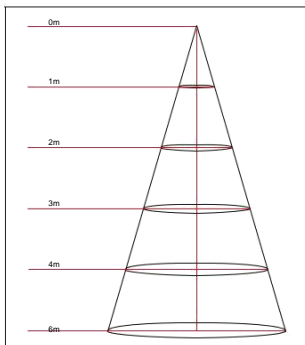
Model#	WSL-PNLR-6in-12w
Description	6" LED Round Panel light
Power	12W
Voltage Input	120Vac
Lumen output	960lm
Color Temperature	3000K,4000K,5000K
CRI	>80
Operating Temp.	-20°C~ 40°C
IP Rating	IP20
Certificates	ETL/cETL , Energy Star
Warranty	5 years
L70 life span	>50000Hrs
Beam Angle	120Degree
Dimmable	Yes( Triac)
Dimension	φ 180mm x H 13mm(φ 7" x H 0.5")



## Order Information

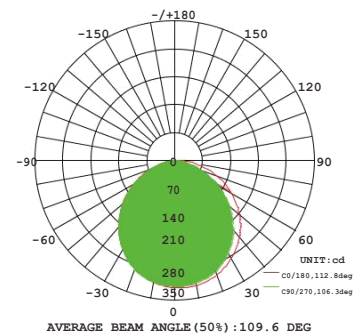
Item Number	Description	Power	Voltage Input	Dimmable	CCT	Lumen Output	Certificates
WSL-PNLR-6in-12w	6" LED Round Panel light	12W	120Vac	Yes(Triac)	3000k 4000K 5000k	960lm	ETL/cETL Energy Star

## Lux Chart

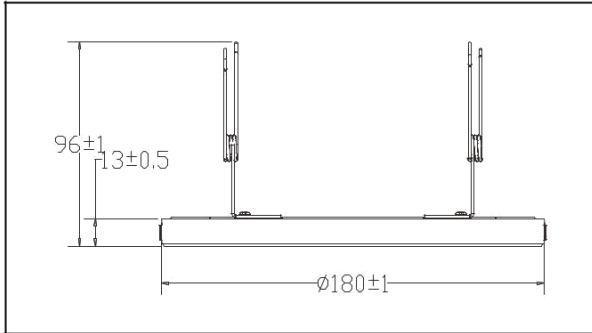


Height	Average Lux (lx)	Light range (dia.)
1M	73.95	322.4cm
2M	27.48	528.9cm
3M	12.21	793.4cm
4M	6.87	1057.8cm
6M	4.40	1322.3cm

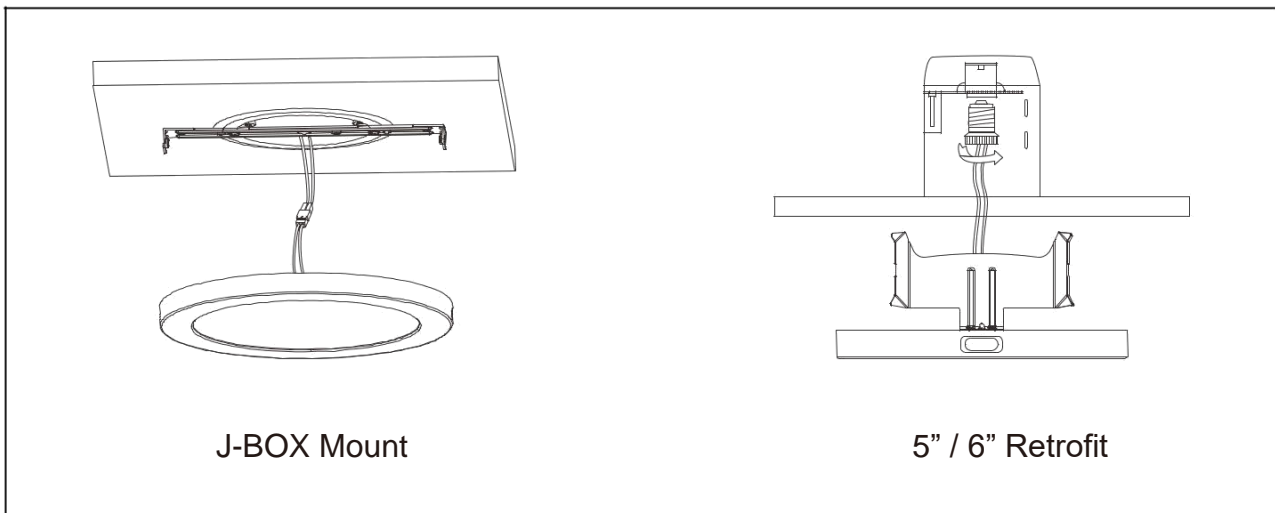
## Photometrics



## Product Size



## Installation

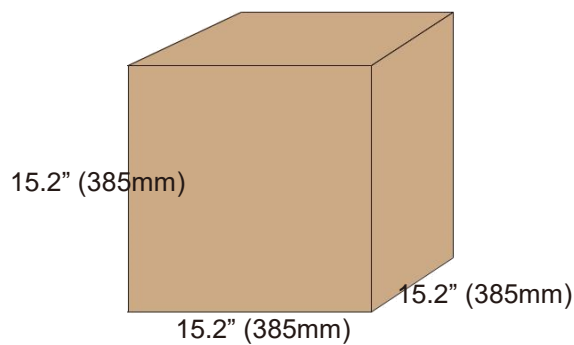


J-BOX Mount

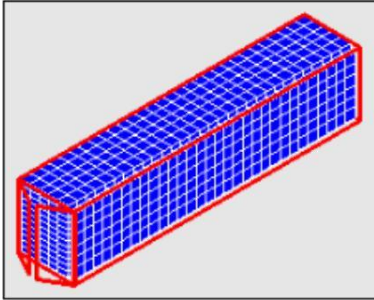
5" / 6" Retrofit

## Packaging

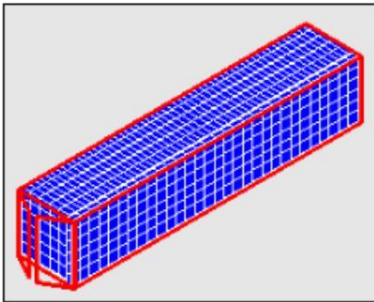
60pcs/CTN Dimension: 385mm\*385mm\*385mm



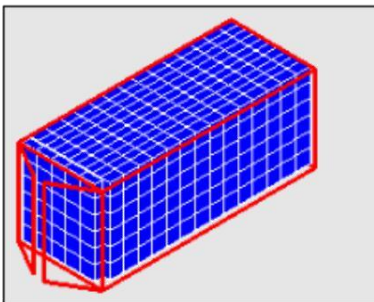
## Container Loading QTY



Size	Corton QTY	Product QTY	Volumn
40'hq	1980 ctn	79200 pcs	68.82m <sup>3</sup>



Size	Corton QTY	Product QTY	Volumn
40'gp	1800 ctn	72000 pcs	62.57m <sup>3</sup>



Size	Corton QTY	Product QTY	Volumn
20'gp	870 ctn	34800 pcs	30.24m <sup>3</sup>