

SMART ENERGY SOLUTIONS

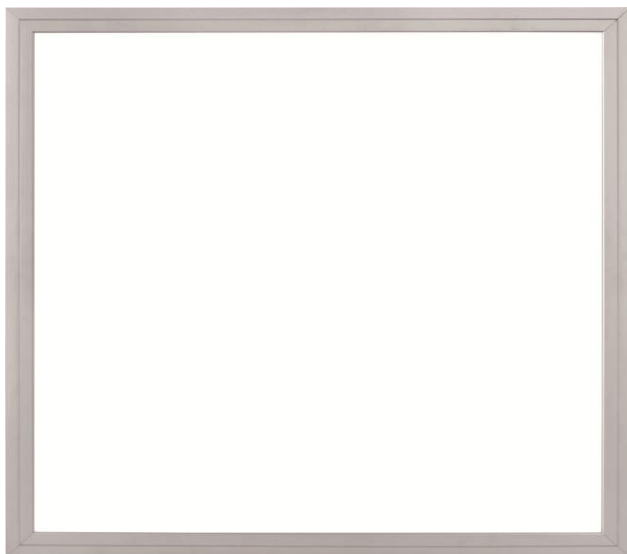
SPECIFICATION

Products Name: Square Panel Lights

Products Model: SES-PL2X2(40W)



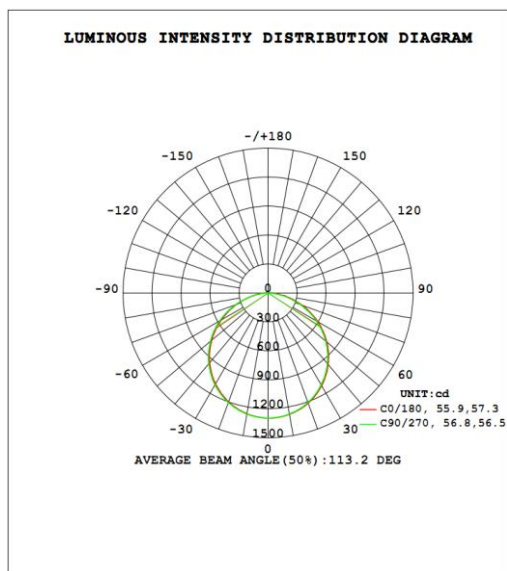
E473860



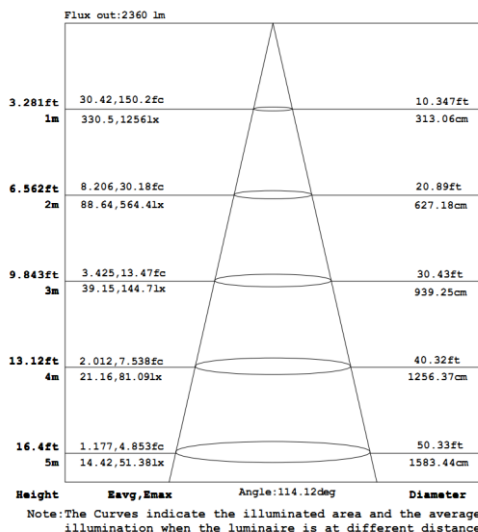
Product Parameters

Model	SES-PL2X2(40W)		
Power Parameters	Input Voltage: AC-100~240V	Power Factor: ≥ 0.9	Power Efficiency: $\geq 88\%$
Power	40W		
Luminous flux	100LM/W		
Color Temperature	3000-5000K/6500K		
CRI	>80		
LED Chip/Qty	SMD 2835		
Beam Angle	120°		
Operating Temp.	-20°C ~ 45°C		
IP Level	IP 20		
Gross Wight	4.5KG		

Luminous Intensity Distribution Diagram



AAI Figure



Precautions:

- Product is for indoor use only, avoid magnetic, high voltage, lightning and other environmental etc;
- Firmly installation, correct wire connection;
- Product only running under the rated input voltage;
- Turn off the power supply before connecting wires;
- If there have any question about installation, please consulting with professional electrician;
- Professional installation must have valid certificates;
- Other questions, please confirm with Zenith Salesman.



Electric Shock Attention

Ensure the power supply has been cut off before connecting the wire, and all wiring and installation of this product are required to be operated by professionals.

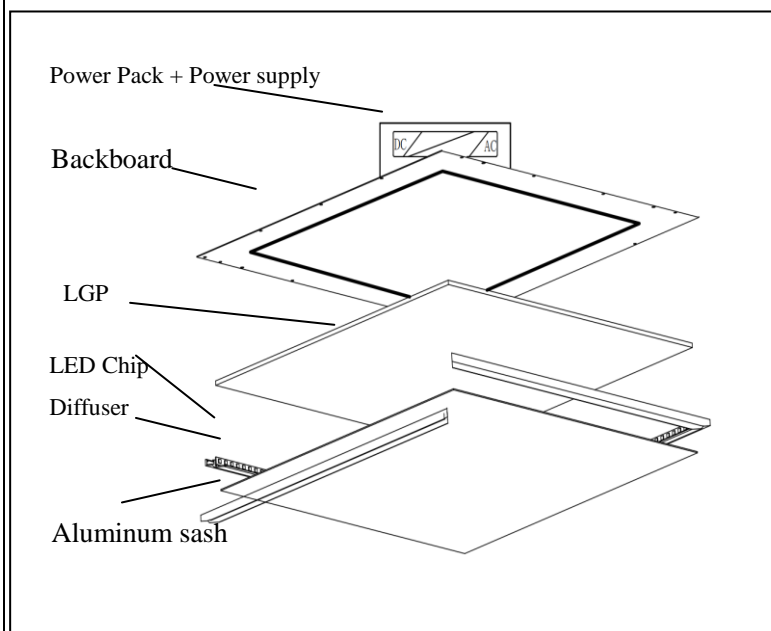
Applications :

◎ Widely used in hotel, meeting room, factory, office, commercial use, residence, school, hospital, communal facility etc.

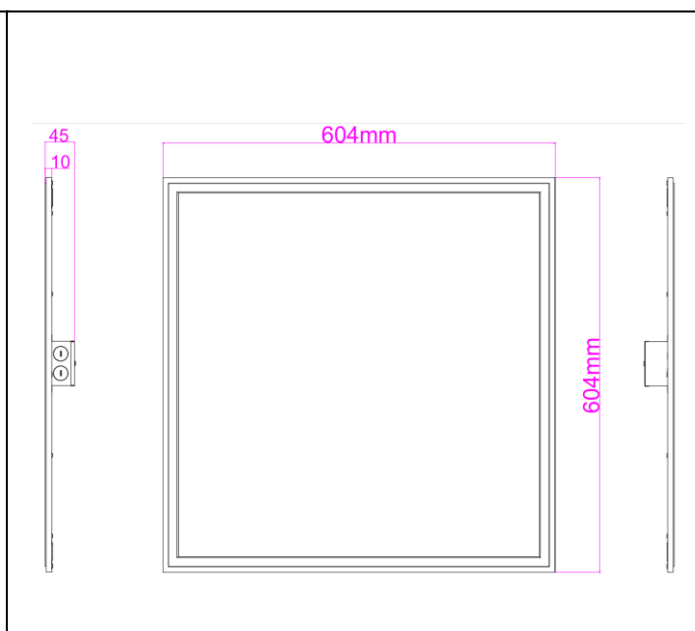
Product Features:

- ◎ 1. Uniformity and soft lighting, no light spot: point light source transform to surface light source and use optical technique to make more soft light and comfortable luminous environment;
- ◎ 2. Side light with good heat dissipation structure design, heat dissipation is quick, shell temperature rise is less 20 degree, effective prolong whole lamp lifetime, light source service life more than 30000 hours;
- ◎ 3. Simple Installation: 1) Ceiling Mounted Installation; 2) Recessed Installation; 3) Suspended Installation. More details, please see installation pictures;
- ◎ 4. Extrapolation isolated high PF CC regulated power supply, hot start, no glare, no electric noise, no RF interference;
- ◎ 5. Brief outward, elegant luxury, booth good lighting effect and also can as artistic decorations; it used as wall lamp or advertising art backlight etc.

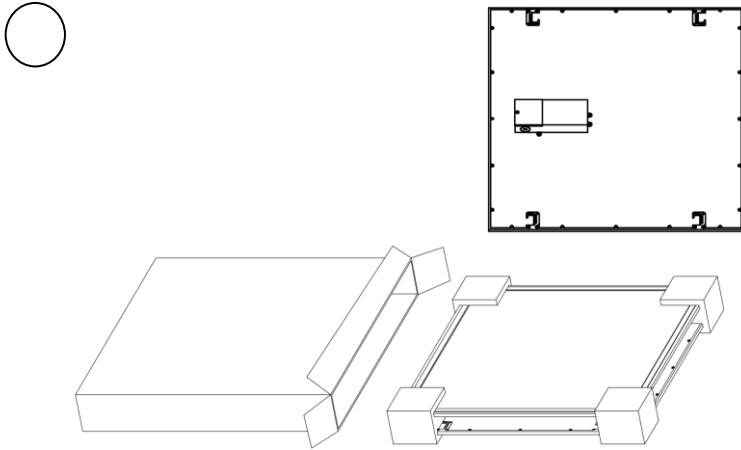
Product Exploded Diagram



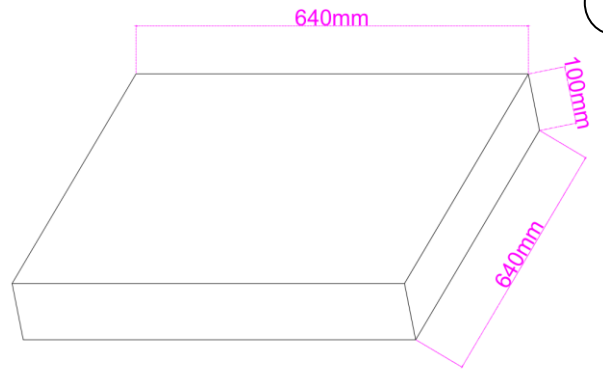
Product Appearance Size



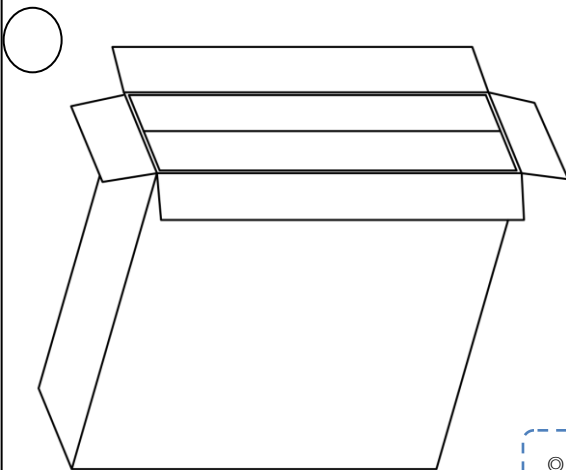
Product Package & Fittings



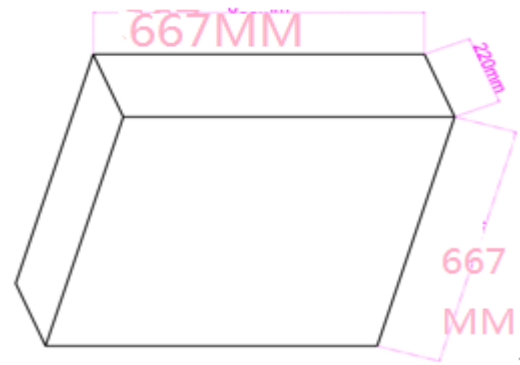
©First use PE bag, EPE around the panel light, Power supply with light together packaged



©Inner Box Size: 650*650*75 mm GW: 10kg



©Carton: 4pcs/CTN



©Carton Size: 670*670*170 mm GW: 16.2kg