

NAME: LED Corn Light

P/N: WSL-CLW-100WB1

Advantage

- UL, CUL, DLC certificate
- E39 lamp base
- 360 degree lighting, high CRI.
- IP64 Waterproof Rating
- Big heat sink, double SUNON fans.
- Internal driver, input voltage AC100-277V.
- New style and high efficient wide-range input.
- Long lifespan and good heat dissipation.
- Direct replacement for Metal Halide, Easy Installation.
- Fits many different fixtures to replace traditional lamps.

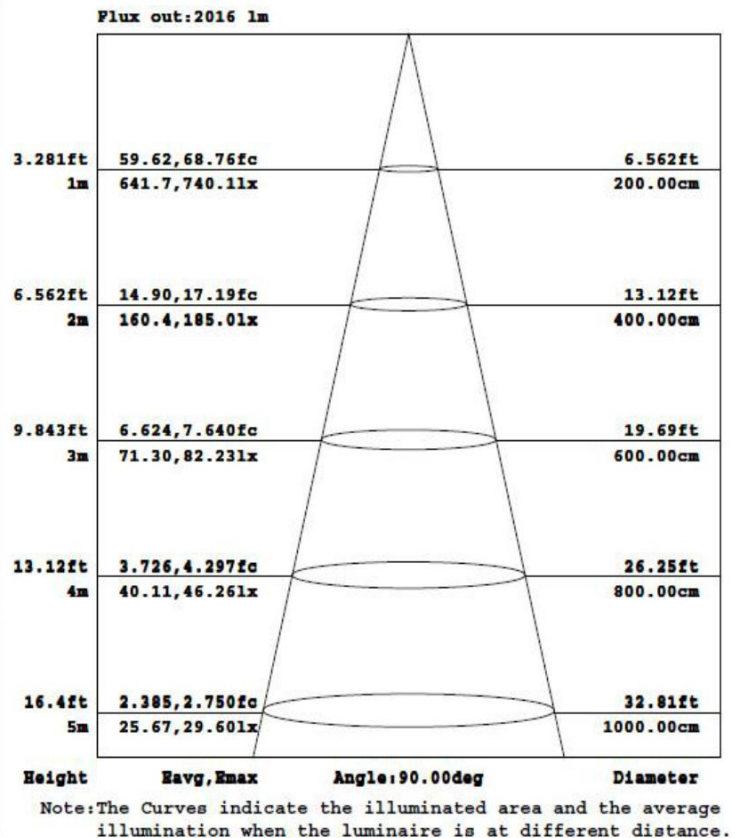
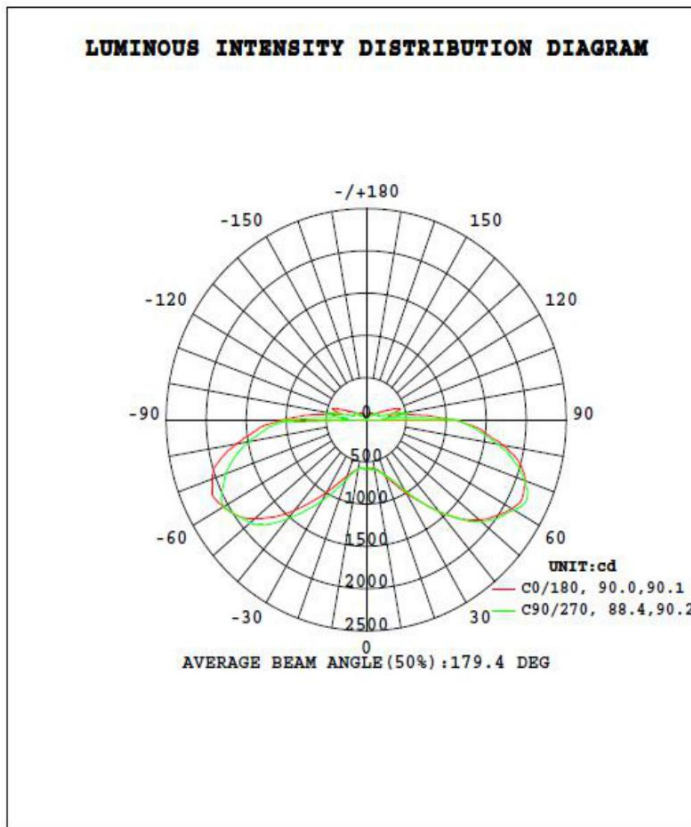
Application

Replacement Lamps for Outdoor Pole/Arm-mounted Decorative Luminaires (Type B).

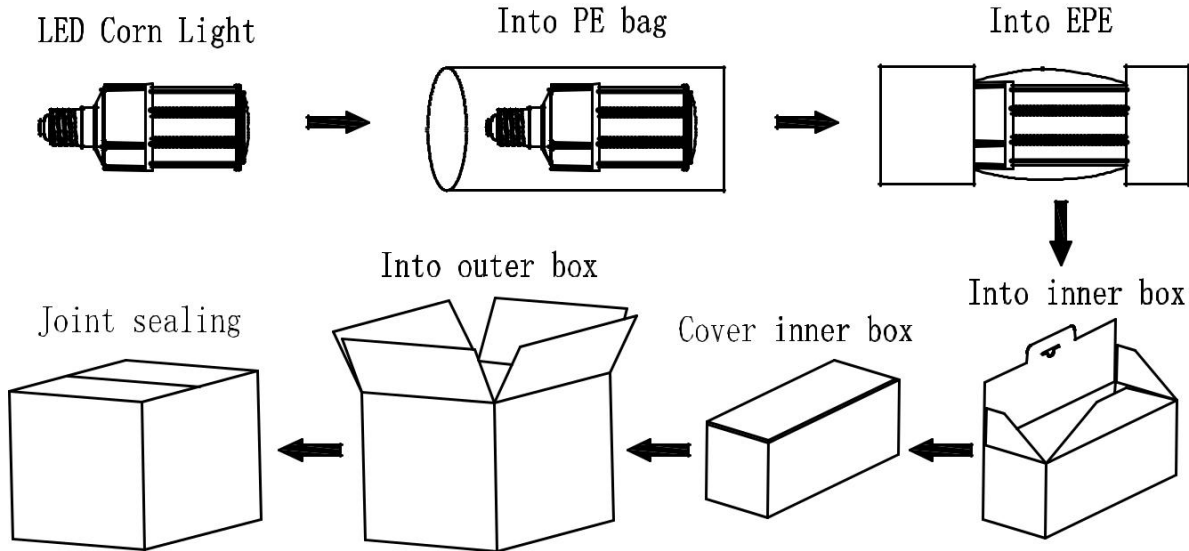
PRODUCT SPECIFICATIONS	
Product name	LED Corn Light
Light Type	Corn Light
Part No	WSL-CLW-100WB1
Dimension	Φ125*290 MM
Technical Characteristic	
Cover	Clear
Color temperature	4000K、 4500K、 5000K、 5700K
CRI	> 80
Lumen-In Luminaires	11000-11600 LM
Lumen Efficacy-In Luminaires	110-116 LM/W
Input Power	100 W
Viewing Angle	360 degree
Input Voltage	AC100-277V 50/60Hz
PFC	>0.9
Equivalent	200W CFL, 250W MHL/HPS/HID
Waterproof Rating	IP64
MATERIALS	
LED Type	SMD2835
LED QTY	728 PCS
Housing	PC+AL
Housing color	White+Grey
OTHERS	
Operating Temperature	-20°C TO 45°C
Operating Humidity	20%-70% RH
Storage Temperature	-30°C TO 80°C
Storage Humidity	10%-75% RH
Application	Indoor/Outdoor
Safety Certification	UL、 CUL、 DLC
Warranty Time	5 Years

Remark: The testing data comes from the product in luminaires.

DATA OF LAMP		PHOTOMETRIC DATA Eff: 114.62 lm/W			
MODEL		Imax (cd)	2410	S/MH (C0/180)	3.15
NOMINAL POWER (W)	100	LOR (%)	100.0	S/MH (C90/270)	3.06
RATED VOLTAGE (V)	120	TOTAL FLUX (lm)	11462	η UP, DN (C0-180)	6.1, 44.4
NOMINAL FLUX (lm)	11462	CIE CLASS	SEMI-D.	η UP, DN (C180-360)	6.0, 43.5
LAMPS INSIDE	1	η up (%)	12.1	CIBSE SHR NOM	2.00
TEST VOLTAGE (V)	120.0	η down (%)	87.9	CIBSE SHR MAX	0.00



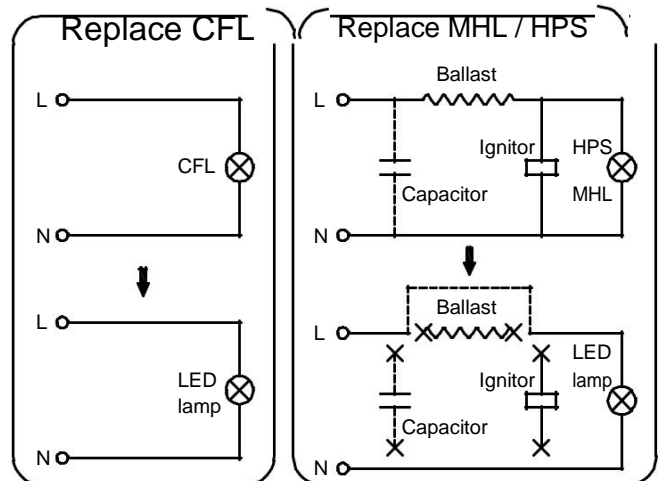
Package



	Size	Qty/ Carton	Net Weight/ Carton	Gross Weight/ Carton
Inner box	320*150*150 MM	1 PC	1.13 KG	1.33 KG
Outer box	465*315*340 MM	6 PCS	6.8 KG	8.8 KG

Notice For User

- Please turn off power before install or change assembly parts.
- The input voltage and lamps should be matched, after connecting the power line, please make sure the wiring section is insulated.
- Make sure to remove or bypass the ballast in the fixtures before install the lamps.
- Suitable for damp locations. Do not use with dimmers.
- Suitable for use in enclosed luminaires, min. lamp compartment dimensions: 440*240*240MM.
- No-professionals, must not install and disassemble the lamps.



Trouble Shootings

Troubles	Check points
Flickering of the lamps	Turn off the power and turn on again in 3 minutes. If same phenomena occur, then call agencies
Out of working	Please check the connection